


Installation Guide

Yeastar S-Series VoIP PBX

Version: 1.0

Updated: June 19, 2018

-  Support: +86-592-5503301
-  Support: support@yeastar.com
-  <https://www.yeastar.com>

Contents

- Hardware Overview..... 3**
 - S20 Overview.....3
 - S50 Overview.....4
 - S100 Overview..... 6
 - S300 Overview..... 8
 - S412 Overview..... 9
 - Expansion Board..... 11
- Install Your PBX..... 14**
 - Package Contents..... 14
 - Installation Warnings.....15
 - Install Yeastar S20..... 15
 - Install Yeastar S50..... 18
 - Install Yeastar S100.....22
 - Install Yeastar S300.....28
 - Install Yeastar S412.....34
- Connect Your PBX..... 37**

Hardware Overview

S20 Overview

Front Panel

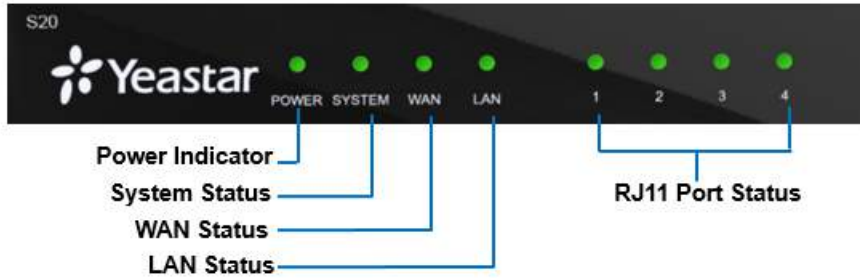


Table 1: Descriptions of S20 Front Panel

LED	Indication	Status	Description
POWER	Power status	On	The power is switched on.
		Off	The power is switched off.
SYSTEM	System status	Blinking	The system is running properly.
		Static/Off	The system goes wrong.
WAN	WAN status	Static	Linked normally.
		Blinking	In communication.
		Off	Off-line.
LAN	LAN status	Static	Linked normally.
		Blinking	In communication.
		Off	Off-line.
1-4 (Telephony ports)	FXS	Green: static	The analog phone is idle.
		Green: blinking	The analog phone is busy.
	GSM/3G/4G	Red: static	The GSM/3G/4G Trunk is idle.
		Red: blinking slowly	No SIM card.
		Red: blinking rapidly	The GSM/3G/4G trunk is in use.
	BRI	Orange: blinking	The BRI line is disconnected.
		Orange: static	The BRI line is connected or in use.
	FXO	Red: static	The PSTN line is idle.
		Red: blinking slowly	No PSTN line is connected to the FXO port.
		Red: blinking rapidly	The PSTN line is busy.

Rear Panel

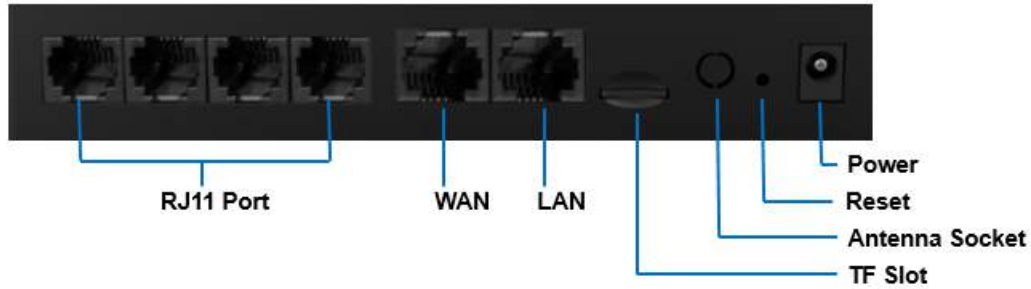



Table 2: Description of S20 Rear Panel

Port	Description
RJ11	<ul style="list-style-type: none"> • FXO port (red light): For the connection of PSTN lines or FXS ports of traditional PBX. • FXS port (green light): For the connection of analog phones. • BRI port (orange light): For the connection of ISDN BRI lines. <p> Note: The sequence number of the ports corresponds to that of the Indicator lights in the front panel. (I.e. the LED lights in the front indicate the connection status of the corresponding ports at the front panel.)</p>
WAN/LAN	<p>Yeastar S20 provides two 10/100M adaptive RJ45 Ethernet ports, and supports 3 Ethernet modes. The default mode is "Single" .</p> <ul style="list-style-type: none"> • Single: LAN port interface will be used for uplink connection. WAN port is disabled. • Bridge: LAN port interface will be used for uplink connection. WAN port interface will be used as bridge for PC connection. <p>Dual: Both LAN and WAN ports can be used for uplink connection.</p>
TF Slot	Insert TF card to store auto recording files.
Antenna Socket	Rotate the antenna into the Antenna Socket.
Reset Button	Press and hold for 10 seconds to restore the factory defaults.
Power Inlet	Connect the supplied power supply to the port.

S50 Overview

Front Panel

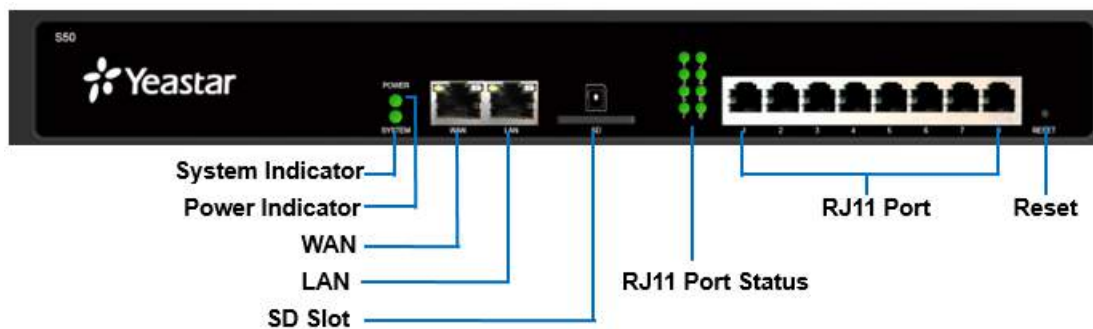



Table 3: Descriptions of S50 Front Panel

LED	Indication	Status	Description
POWER	Power status	On	The power is switched on.
		Off	The power is switched off.
SYSTEM	System status	Blinking	The system is running properly.
		Static/Off	The system goes wrong.
1-8 LED (RJ11 port status)	FXS	Green: static	The analog phone is idle.
		Green: blinking	The analog phone is busy.
	GSM/3G/4G	Red: static	The GSM/3G/4G Trunk is idle.
		Red: blinking slowly	No SIM card.
		Red: blinking rapidly	The GSM/3G/4G trunk is in use.
	BRI	Orange: blinking	The BRI line is disconnected.
		Orange: static	The BRI line is connected or in use.
	FXO	Red: static	The PSTN line is idle.
		Red: blinking slowly	No PSTN line is connected to the FXO port.
		Red: blinking rapidly	The PSTN line is busy.
Port	Description		
WAN/LAN	<p>Yeastar S50 provides two 10/100/1000M adaptive RJ45 Ethernet ports, and supports 3 Ethernet modes. The default mode is "Single" .</p> <ul style="list-style-type: none"> • Single: LAN port interface will be used for uplink connection. WAN port is disabled. • Bridge: LAN port interface will be used for uplink connection. WAN port interface will be used as bridge for PC connection. • Dual: Both LAN and WAN ports can be used for uplink connection. 		
SD	Insert SD card to store auto recording files.		
1-8 Port (RJ11 port)	<ul style="list-style-type: none"> • FXO port (red light): For the connection of PSTN lines or FXS ports of traditional PBX. • FXS port (green light): For the connection of analog phones. • BRI port (orange light): For the connection of ISDN BRI lines. <p> Note: The sequence number of the ports corresponds to that of the Indicator lights in the front panel. (I.e. the LED lights in the front indicate the connection status of the corresponding ports at the front panel.)</p>		
Reset button	Press and hold for 10 seconds to restore the factory defaults.		

Rear Panel



Table 4: Description of S50 Rear Panel


Port	Description
Antenna Socket	Rotate the antenna into the Antenna Socket.
Power Switch	Press this button to switch on/off the device.
Power Inlet	Connect the supplied power supply to the port.
Protective Earth	Connect to the ground to reduce the risk to the user of electrocution or protect the PBX from the bad effects of external noise in the case of a lightning strike.

S100 Overview

Front Panel (1*EX30 + 1*EX08)



Table 5: Descriptions of S100 Front Panel

Port	Description		
E1/T1	Connect the E1/T1 line.		
1-8 Port (RJ11 port)	<ul style="list-style-type: none"> FXO port (red light): For the connection of PSTN lines or FXS ports of traditional PBX. FXS port (green light): For the connection of analog phones. BRI port (orange light): For the connection of ISDN BRI lines. <p> Note: The sequence number of the ports corresponds to that of the Indicator lights in the front panel. (I.e. the LED lights in the front indicate the connection status of the corresponding ports at the front panel.)</p>		
Port	Indication	Status	Description
1-8 (RJ11 ports)	FXS	Green: static	The analog phone is idle.
		Green: blinking	The analog phone is busy.
	GSM/3G/4G	Red: static	The GSM/3G/4G Trunk is idle.

		Red: blinking slowly	No SIM card.
		Red: blinking rapidly	The GSM/3G/4G trunk is in use.
BRI		Orange: blinking	The BRI line is disconnected.
		Orange: static	The BRI line is connected or in use.
FXO		Red: static	The PSTN line is idle.
		Red: blinking slowly	No PSTN line is connected to the FXO port.
		Red: blinking rapidly	The PSTN line is busy.

Rear Panel

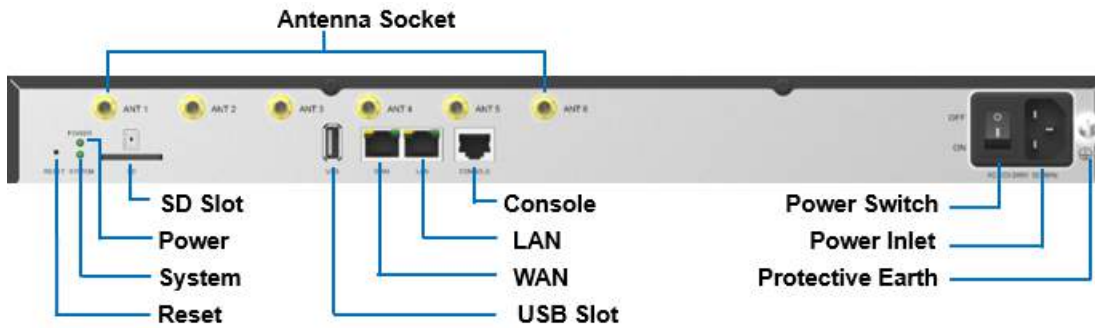


Table 6: Descriptions of S100 Rear Panel

LED	Indication	Status	Description
POWER	Power status	On	The power is switched on.
		Off	The power is switched off.
SYSTEM	System status	Blinking	The system is running properly.
		Static/Off	The system goes wrong.
Port	Description		
WAN/LAN	Yeastar S100 provides two 10/100/1000M adaptive RJ45 Ethernet ports, and supports 3 Ethernet modes. The default mode is "Single" . <ul style="list-style-type: none"> • Single: LAN port interface will be used for uplink connection. WAN port is disabled. • Bridge: LAN port interface will be used for uplink connection. WAN port interface will be used as bridge for PC connection. • Dual: Both LAN and WAN ports can be used for uplink connection. 		
SD	Insert SD card to store auto recording files.		
Reset button	Press and hold for 10 seconds to restore the factory defaults.		
USB	Insert USB device to store auto recording files.		
Console	Connect RS232 line to debug the system.		
Power Switch	Press this button to switch on/off the device.		
Power Inlet	Connect the supplied power supply to the port.		
Protective Earth	Connect to the ground to reduce the risk to the user of electrocution or protect the PBX from the bad effects of external noise in the case of a lightning strike.		

Antenna Socket | Rotate the antenna into the Antenna Socket.

S300 Overview

Front Panel (1*EX30 + 2*EX08)

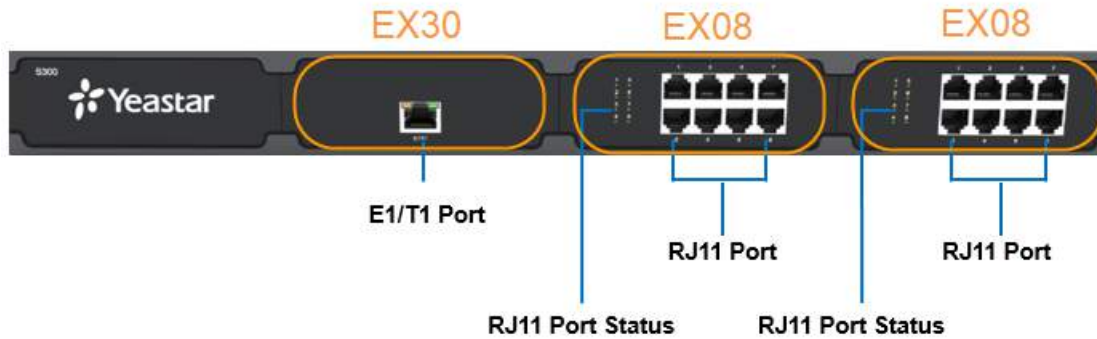



Table 7: Descriptions of 3100 Front Panel

Port	Description		
E1/T1	Connect the E1/T1 line.		
1-8 Port (RJ11 port)	<ul style="list-style-type: none"> • FXO port (red light): For the connection of PSTN lines or FXS ports of traditional PBX. • FXS port (green light): For the connection of analog phones. • BRI port (orange light): For the connection of ISDN BRI lines. <p> Note: The sequence number of the ports corresponds to that of the Indicator lights in the front panel. (I.e. the LED lights in the front indicate the connection status of the corresponding ports at the front panel.)</p>		
Port	Indication	Status	Description
1-8 (RJ11 ports)	FXS	Green: static	The analog phone is idle.
		Green: blinking	The analog phone is busy.
	GSM/3G/4G	Red: static	The GSM/3G/4G Trunk is idle.
		Red: blinking slowly	No SIM card.
		Red: blinking rapidly	The GSM/3G/4G trunk is in use.
	BRI	Orange: blinking	The BRI line is disconnected.
		Orange: static	The BRI line is connected or in use.
	FXO	Red: static	The PSTN line is idle.
		Red: blinking slowly	No PSTN line is connected to the FXO port.
Red: blinking rapidly		The PSTN line is busy.	

Rear Panel

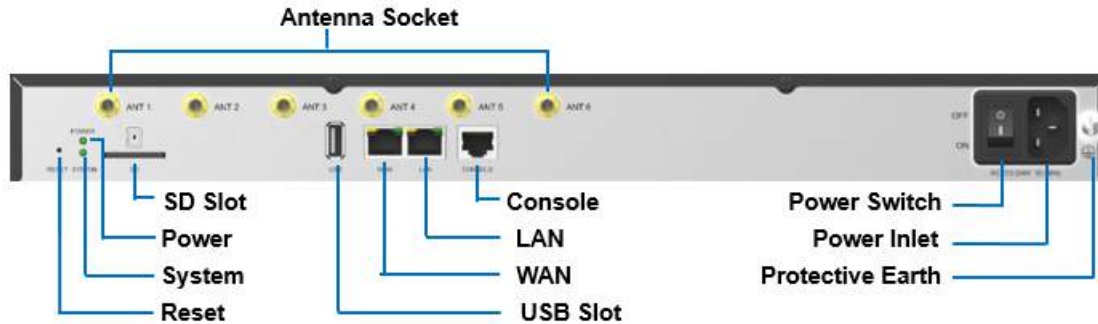


Table 8: Descriptions of S300 Rear Panel

LED	Indication	Status	Description
POWER	Power status	On	The power is switched on.
		Off	The power is switched off.
SYSTEM	System status	Blinking	The system is running properly.
		Static/Off	The system goes wrong.
Port	Description		
WAN/LAN	Yeastar S300 provides two 10/100/1000M adaptive RJ45 Ethernet ports, and supports 3 Ethernet modes. The default mode is "Single" . <ul style="list-style-type: none"> • Single: LAN port interface will be used for uplink connection. WAN port is disabled. • Bridge: LAN port interface will be used for uplink connection. WAN port interface will be used as bridge for PC connection. • Dual: Both LAN and WAN ports can be used for uplink connection. 		
SD	Insert SD card to store auto recording files.		
Reset button	Press and hold for 10 seconds to restore the factory defaults.		
USB	Insert USB device to store auto recording files.		
Console	Connect RS232 line to debug the system.		
Power Switch	Press this button to switch on/off the device.		
Power Inlet	Connect the supplied power supply to the port.		
Protective Earth	Connect to the ground to reduce the risk to the user of electrocution or protect the PBX from the bad effects of external noise in the case of a lightning strike.		
Antenna Socket	Rotate the antenna into the Antenna Socket.		

S412 Overview

Front Panel

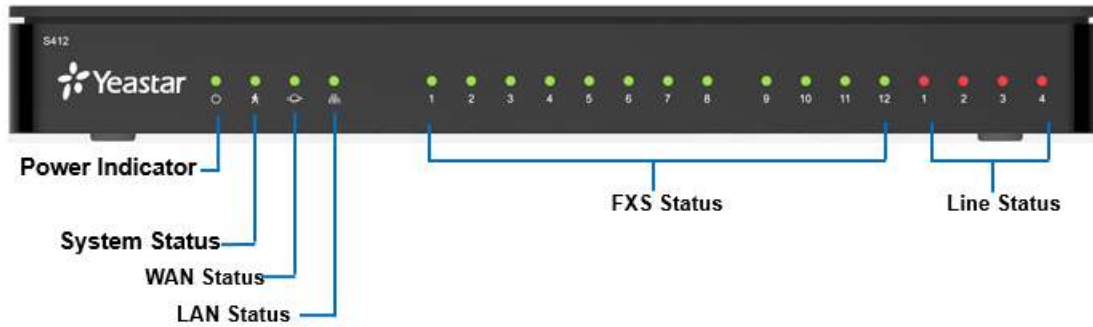


Table 9: Descriptions of S412 Front Panel

LED	Indication	Status	Description
POWER	Power status	On	The power is switched on.
		Off	The power is switched off.
SYSTEM	System status	Blinking	The system is running properly.
		Static/Off	The system goes wrong.
WAN	WAN status	Static	Linked normally.
		Blinking	In communication.
		Off	Off-line.
LAN	LAN status	Static	Linked normally.
		Blinking	In communication.
		Off	Off-line.
1-4 (Line port)	GSM/3G/4G	Red: static	The GSM/3G/4G Trunk is idle.
		Red: blinking slowly	No SIM card.
		Red: blinking rapidly	The GSM/3G/4G trunk is in use.
	BRI	Orange: blinking	The BRI line is disconnected.
		Orange: static	The BRI line is connected or in use.
	FXO	Red: static	The PSTN line is idle.
Red: blinking slowly		No PSTN line is connected to the FXO port.	
Red: blinking rapidly		The PSTN line is busy.	
1-4 (FXS port)	FXS	Green: static	The analog phone is idle.
		Green: blinking	The analog phone is busy.

Rear Panel

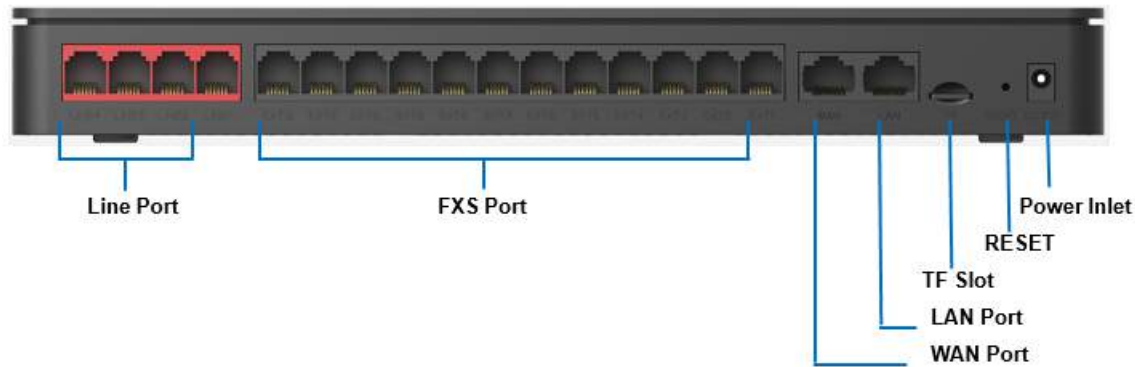




Table 10: Description of S412 Rear Panel

Port	Description
RJ11 (Line port)	<ul style="list-style-type: none"> • FXO port (red light): For the connection of PSTN lines or FXS ports of traditional PBX. • BRI port (orange light): For the connection of ISDN BRI lines. <p> Note: The sequence number of the ports corresponds to that of the Indicator lights in the front panel. (I.e. the LED lights in the front indicate the connection status of the corresponding ports at the front panel.)</p>
RJ11 (FXS port)	<ul style="list-style-type: none"> • FXS port (green light): For the connection of analog phones. <p> Note: The sequence number of the ports corresponds to that of the Indicator lights in the front panel. (I.e. the LED lights in the front indicate the connection status of the corresponding ports at the front panel.)</p>
WAN/LAN	<p>Yeastar S412 provides two 10/100M adaptive RJ45 Ethernet ports, and supports 3 Ethernet modes. The default mode is "Single" .</p> <ul style="list-style-type: none"> • Single: LAN port interface will be used for uplink connection. WAN port is disabled. • Bridge: LAN port interface will be used for uplink connection. WAN port interface will be used as bridge for PC connection. <p>Dual: Both LAN and WAN ports can be used for uplink connection.</p>
TF Slot	Insert TF card to store auto recording files.
Reset Button	Press and hold for 10 seconds to restore the factory defaults.
Power Inlet	Connect the supplied power supply to the port.

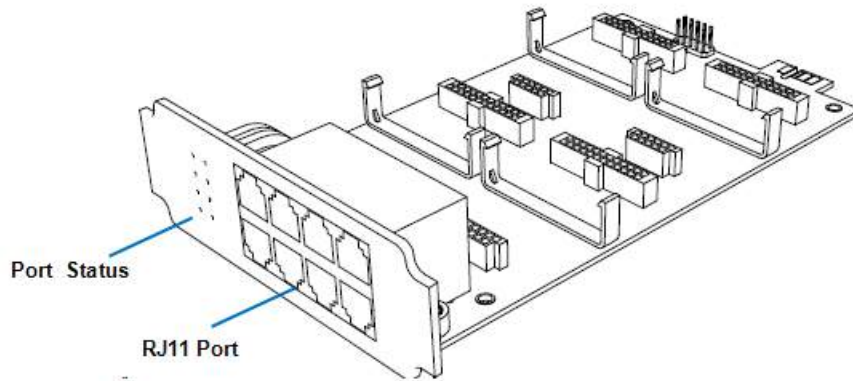
Expansion Board

Yeastar S100 and S300 are expandable.

- S100 supports up to 2 EX08/EX30 Expansion Spans; supports 1 D30 Module.
- S300 supports up to 3 EX08/EX30 Expansion Spans; supports up to 2 D30 Modules.

EX08 Expansion Board

EX08 board supports up to 4 modules (8 ports).

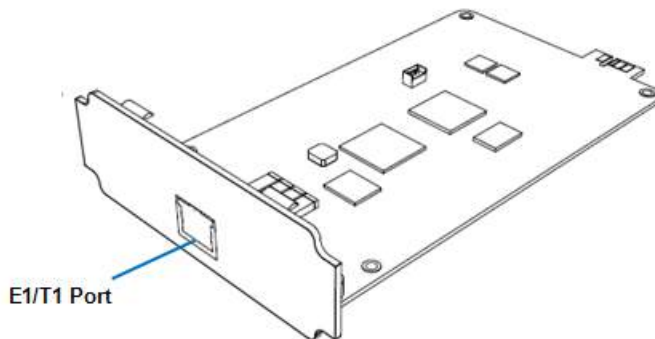


Optional module on EX08 board

- O2 Module
- S2 Module
- SO Module
- B2 Module
- GSM/3G/4G Module

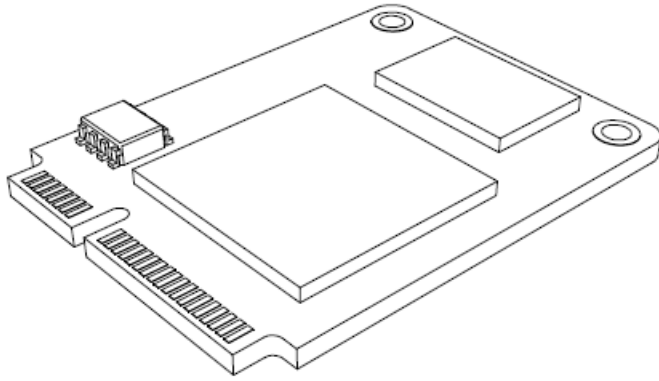
EX30 Expansion Board

EX30 board supports 1 E1/T1 port.



D30 Module

D30 is a DSP module, used to expand the capacity of PBX. With per D30 module added, the extensions increase 100 and concurrent calls increase 30 in additional.



Install Your PBX

Package Contents

Before you begin to install the PBX, check the package contents. If there is any problem, contact your provider.

Package Contents of S20

- 1* S20 PBX
- 1* Power Adapter
- 1* Ethernet Cable
- 2* Telephony Line
- 4* Rubber Feet
- 1* Warranty Card
- 1* Quick Installation Guide

Package Contents of S50

- 1* S50 PBX
- 1* Power Cord
- 1* Ethernet Cable
- 2* Rack Mounting Kits
- 1* Grounding Stud & Nut
- 4* Rubber Feet
- 1* Warranty Card
- 1* Quick Installation Guide

Package Contents of S100

- 1* S100 PBX
- 1* Power Cord
- 1* Ethernet Cable
- 2* Rack Mounting Kits
- 1* Grounding Stud & Nut
- 4* Rubber Feet
- 1* Warranty Card
- 1* Quick Installation Guide

Package Contents of S300

- 1* S300 PBX
- 1* Power Cord
- 1* Ethernet Cable
- 2* Rack Mounting Kits
- 1* Grounding Stud & Nut
- 4* Rubber Feet
- 1* Warranty Card
- 1* Quick Installation Guide

Package Contents of S412

- 1* S412 PBX
- 1* Power Adapter
- 1* Ethernet Cable

- 4* Rubber Feet
- 1* Warranty Card
- 1* Quick Installation Guide

Installation Warnings

To avoid unexpected accident, personal injury or device damage, read the safety disclaimers and installation warnings.

Power Safety

- Use only the power cord provided with the PBX.
- Keep the power off during the installation.
- Make sure that the supply voltage matches the specifications indicated on the back panel of the device.
- To avoid the electric accident, do not open or remove the cover of PBX when it is working as well as off the power.
- Before cleaning the device, cut off the power supply.

Environment

Install the PBX in a location that is clean, free from vibration, electric shock, and temperature/humidity extremes.

The operating temperature should be kept below 104°F (40°C).

Install Yeastar S20

Install Telephony Module

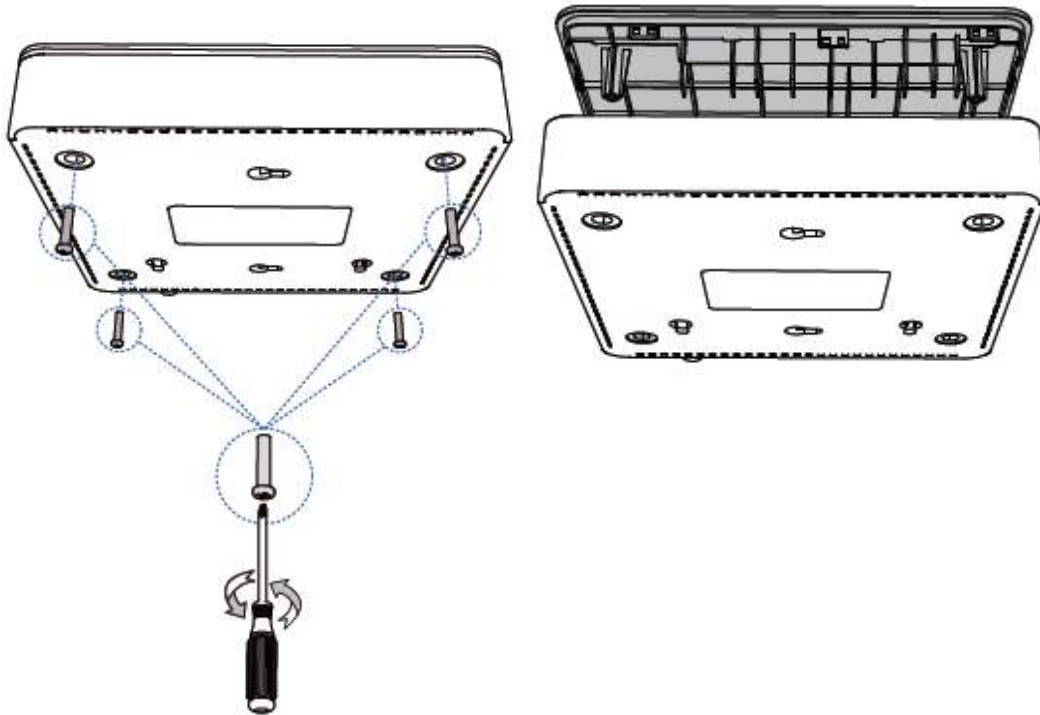
Yeastar S20 supports up to 2 modules. The optional modules are as below:

- | | | | |
|--------------|-------------|-------------|-------------|
| • S2 Module | • O2 Module | • B2 Module | • SO Module |
| • GSM Module | • 3G Module | • 4G Module | |

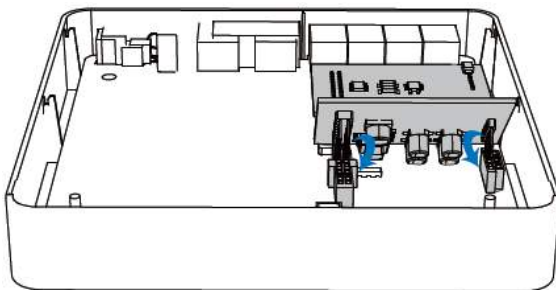


Note: Before installing the module, check if the module is clean and intact.

1. Loosen the screws on the bottom of the device and remove the upper cover.

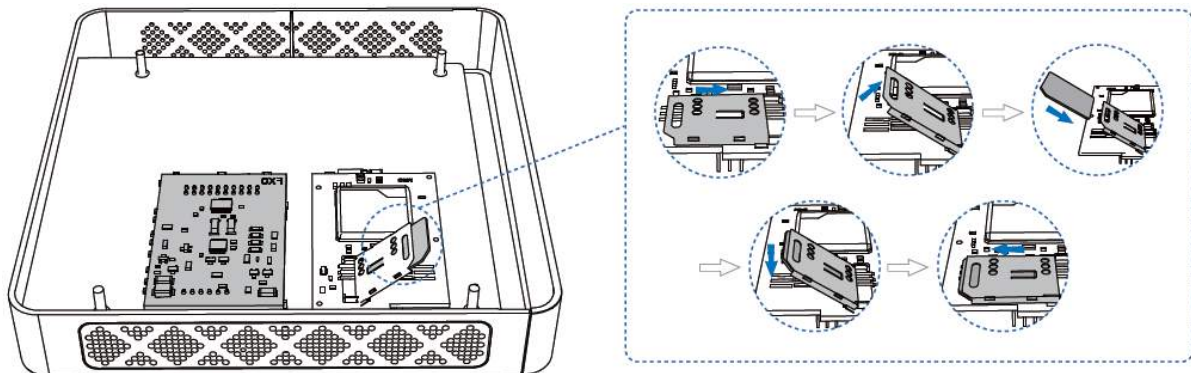


2. Insert the module to the Module Slot.

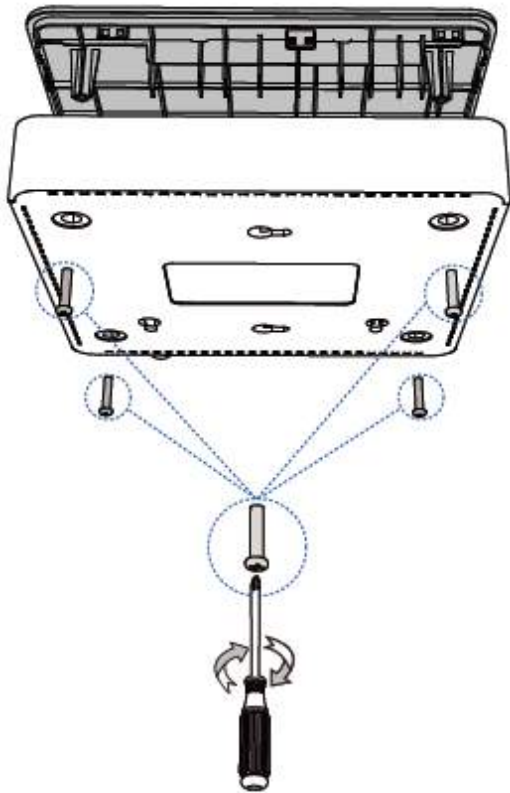


3. Insert a SIM card on the GSM/3G module following the instructions.

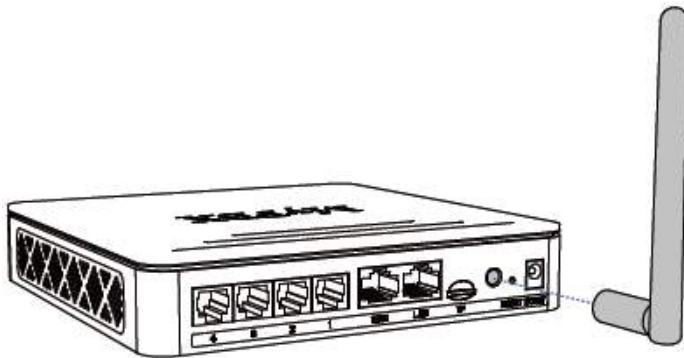
 **Note:** Skip this step if no GSM/3G/4G module is installed.



4. Close the cover and fix the screws.



5. Rotate the antenna into the Antenna Socket. Skip this step if no GSM/3G module installed.

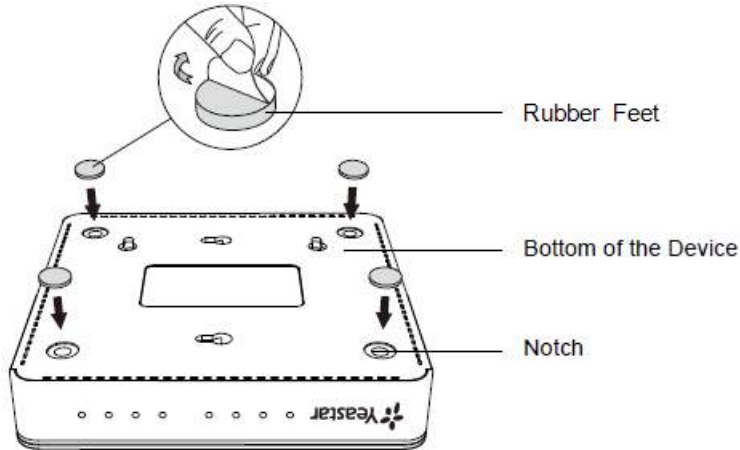


Desktop Installation

⚠ Caution:

- Set 5~10cm gaps around the device for air circulation.
- Avoid any heavy thing placed on the device.

1. Place the PBX on a steady platform.
2. Remove the adhesive backing paper from the rubber feet.
3. Turn over the device and attach the supplied rubber feet to the recessed areas on the bottom at each corner of the device.




Install Yeastar S50

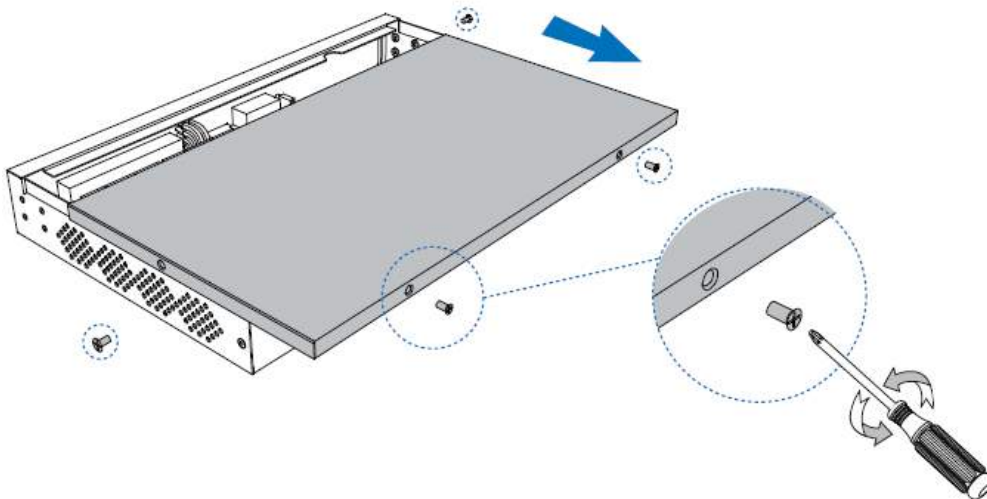
Install Telephony Module

Yeastar S50 supports up to 4 modules. The optional modules are as below:

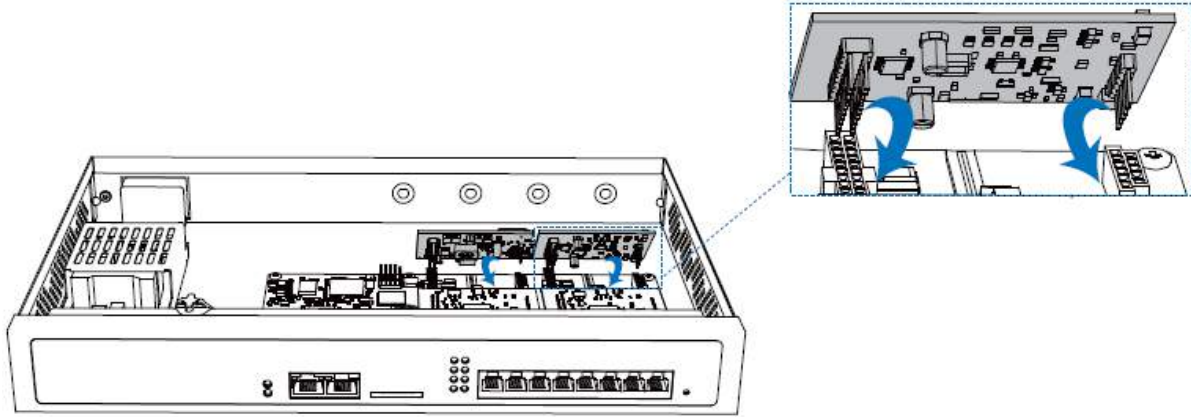
- | | | | |
|--------------|-------------|-------------|-------------|
| • S2 Module | • O2 Module | • B2 Module | • SO Module |
| • GSM Module | • 3G Module | • 4G Module | |

 **Note:** Before installing the module, check if the module is clean and intact.

1. Loosen the screws on the bottom of the device and remove the upper cover.

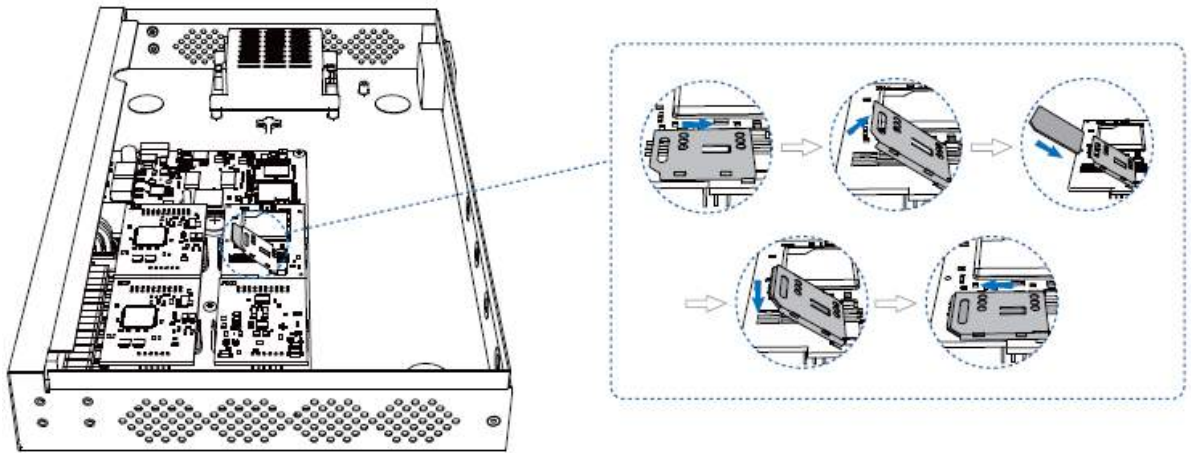


2. Insert the module to the Module Slot.

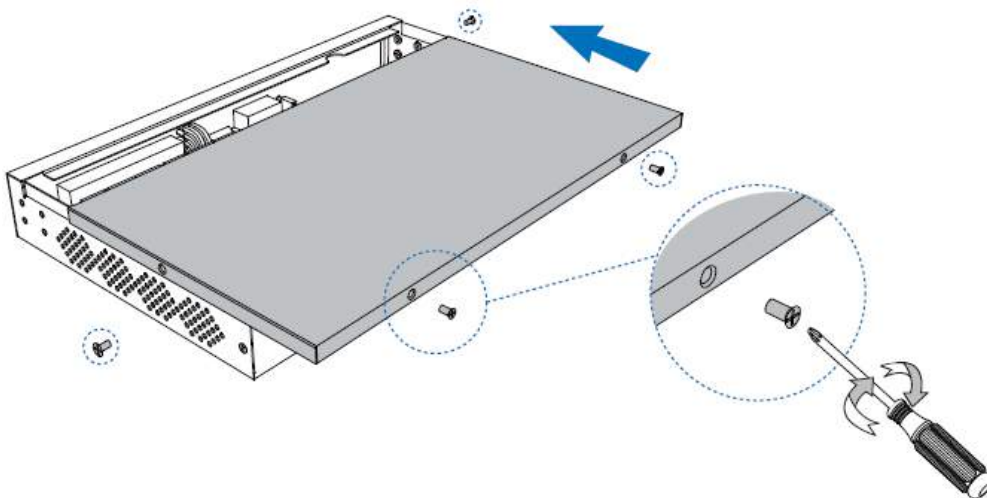


3. Insert a SIM card on the GSM/3G/4G module following the instructions.

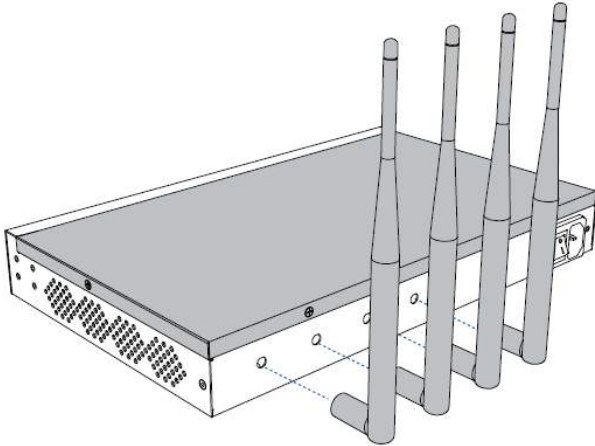
 **Note:** Skip this step if no GSM/3G/4G module is installed.



4. Close the cover and fix the screws.



5. Rotate the antenna into the Antenna Socket. Skip this step if no GSM/3G/4G module installed.

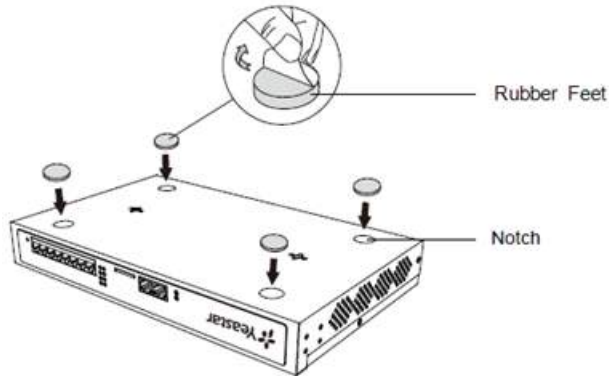


Desktop Installation

⚠ Caution:

- Set 5~10cm gaps around the device for air circulation.
- Avoid any heavy thing placed on the device.

1. Place the PBX on a steady platform.
2. Remove the adhesive backing paper from the rubber feet.
3. Turn over the device and attach the supplied rubber feet to the recessed areas on the bottom at each corner of the device.

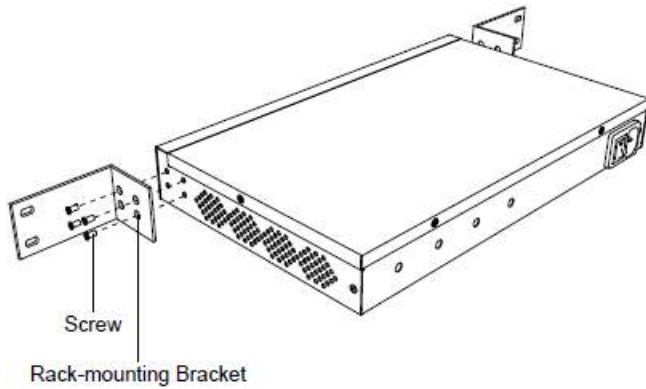


Rack Installation

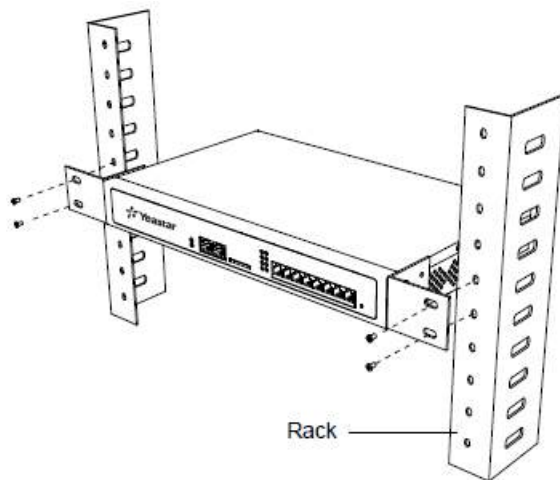
⚠ Caution:

- Be careful not to drop any components. Dropping components may damage them or cause an injury.
- Only use the 19-inch rack mounting kits (attached bracket and fittings) included with the PBX.

1. Fix the brackets to the left and right sides of the PBX with 4 screws.



2. Place the PBX in the 19-inch rack and fix both brackets to the rack with the rack's proprietary mounting equipment.

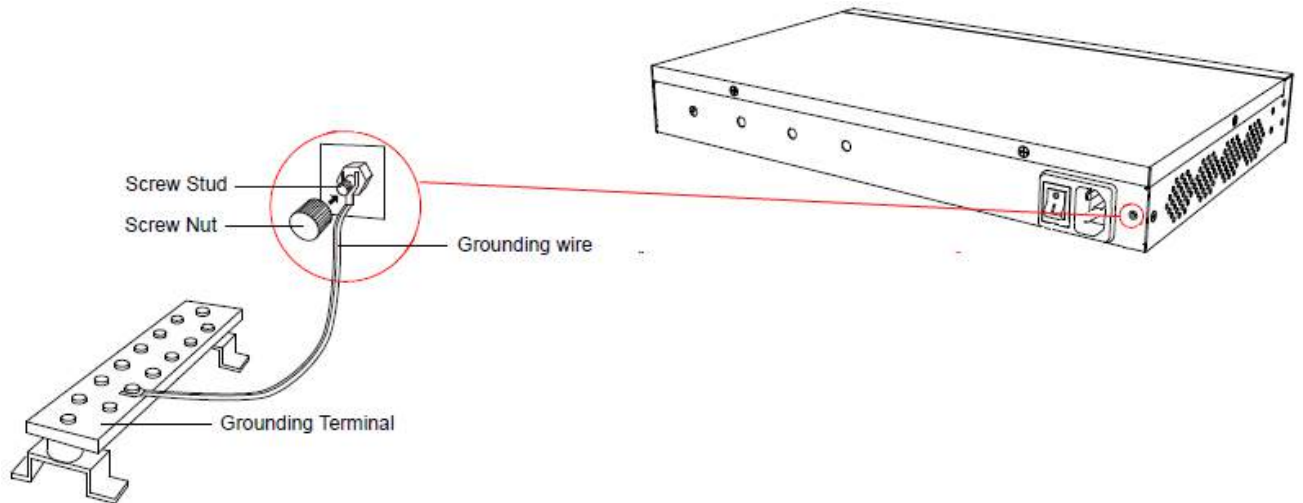


Ground Connection

⚠ Caution:

- Proper grounding (connection to ground) is very important to reduce the risk to the user of electrocution or protect the PBX from the bad effects of external noise in the case of a lightning strike.
- A permanent connection between ground and the ground terminal of the PBX must be made.

1. Tighten the provided screw stud into the Grounding port on PBX.
2. Insert an 18AWG grounding wire (user supplied).
3. Tighten the provided screw nut.
4. Attach the grounding wire to the grounding terminal.



Install Yeastar S100


Install Telephony Module

Yeastar S100 supports:

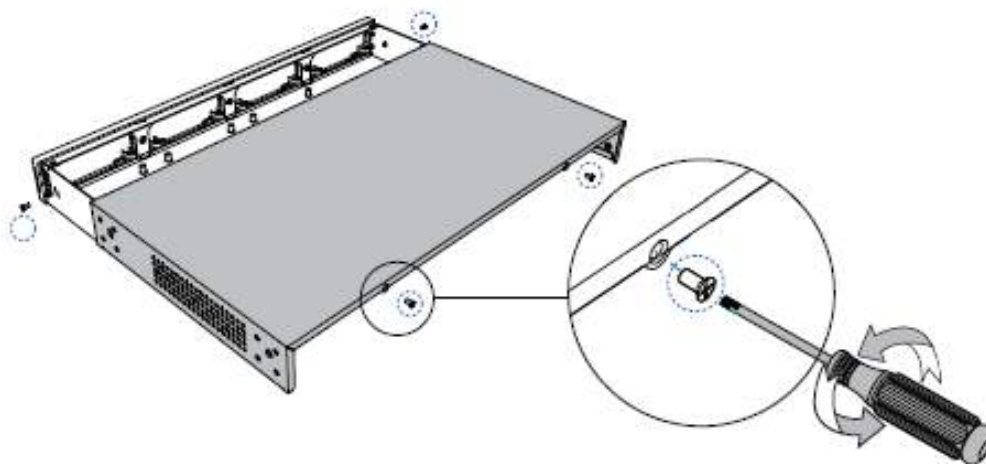
- Max. 2 EX08 Expansion Board
- Max. 2 EX30 Expansion Board
- Max. 8 Telephony Module
- Max. 1 D30 Module

The optional modules are as below:

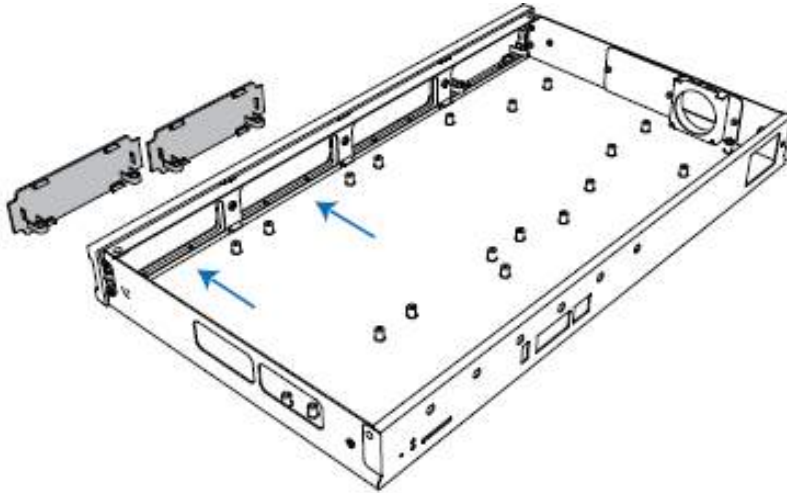
- | | | | |
|--------------|-------------|-------------|-------------|
| • S2 Module | • O2 Module | • B2 Module | • SO Module |
| • GSM Module | • 3G Module | • 4G Module | |

 **Note:** Before installing the module, check if the module is clean and intact.

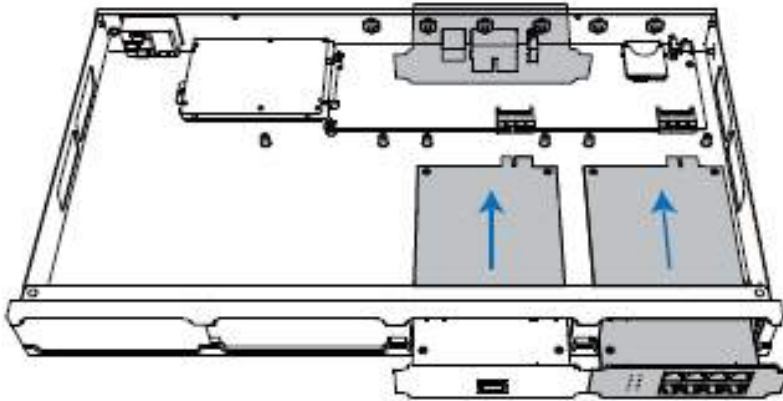
1. Loosen the screws on the bottom of the device and remove the upper cover.



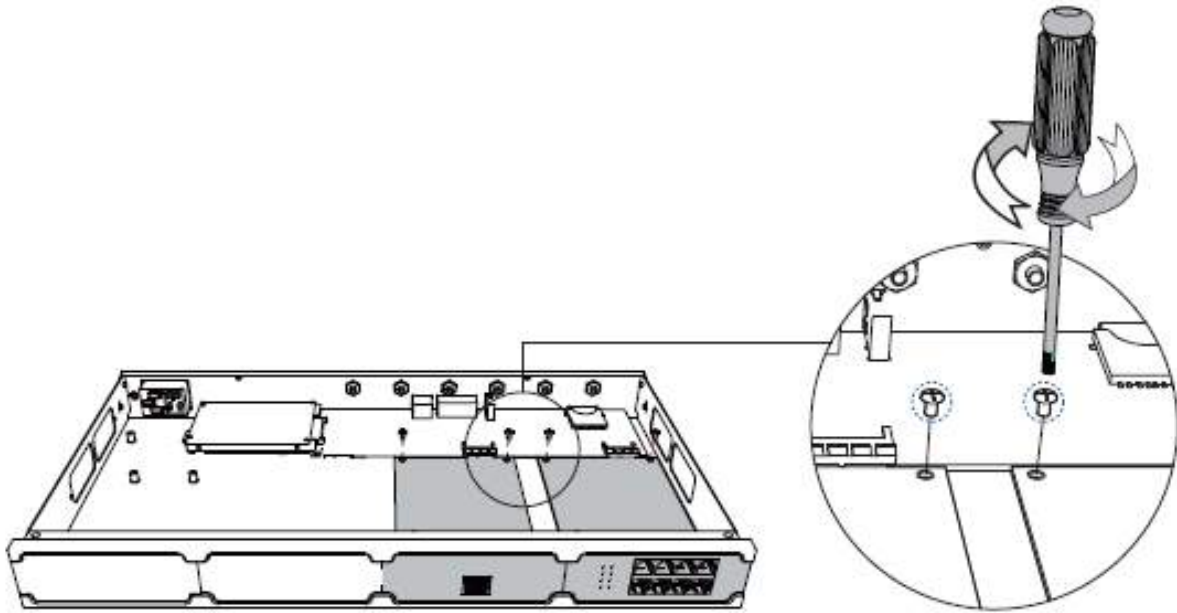
2. Push out the empty board from the inside of the device.




3. Push in the Expansion Board (EX08 or EX30).

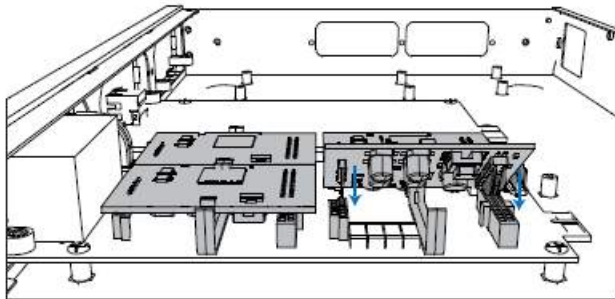


4. Lock the screws to fix the Expansion Board.



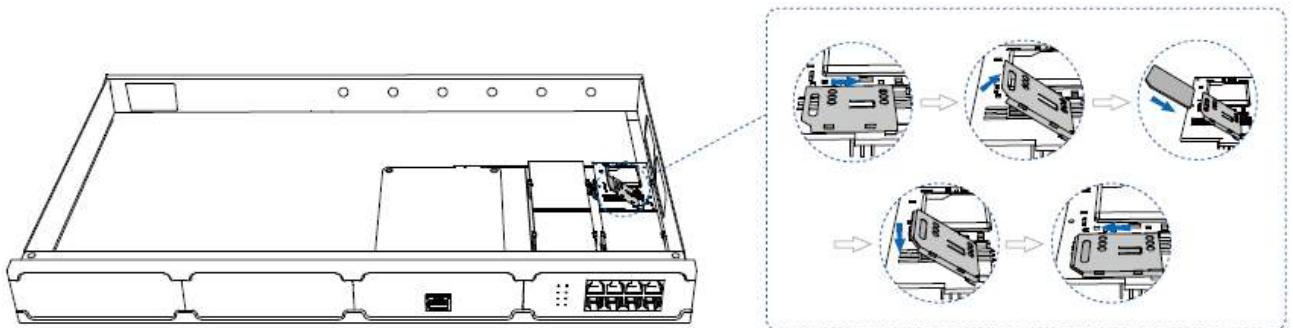
5. Insert the Telephony Modules on the EX08 Board.

 **Note:** Skip this step for EX30 Board.

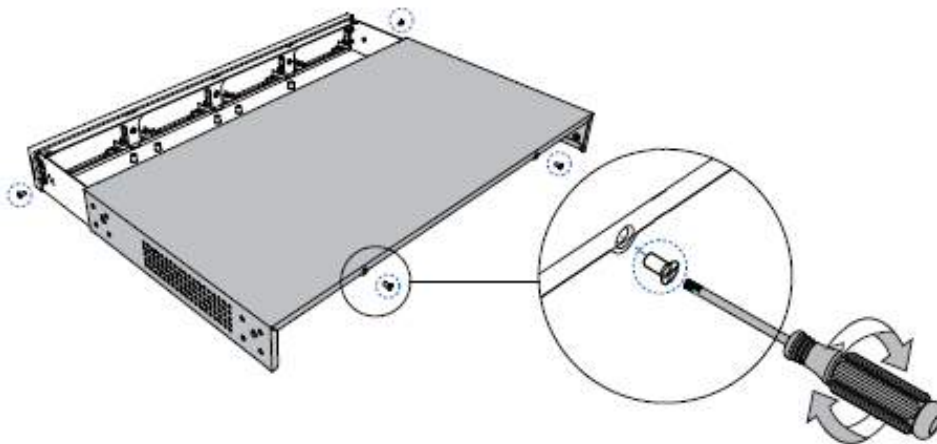


6. Insert a SIM card on the GSM/3G/4G module following the instructions.

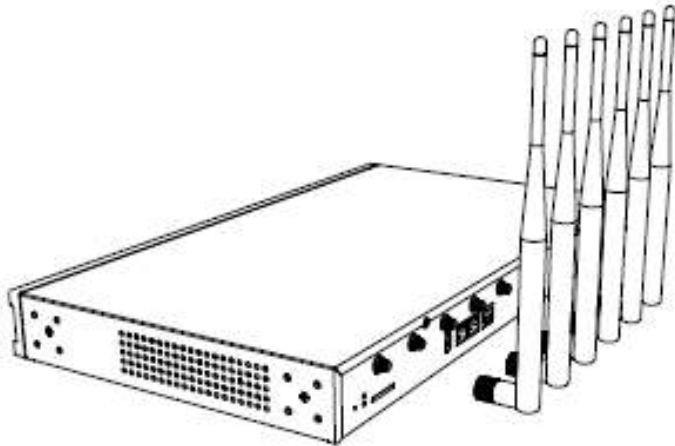
 **Note:** Skip this step if no GSM/3G/4G module is installed.



7. Close the cover and fix the screws.

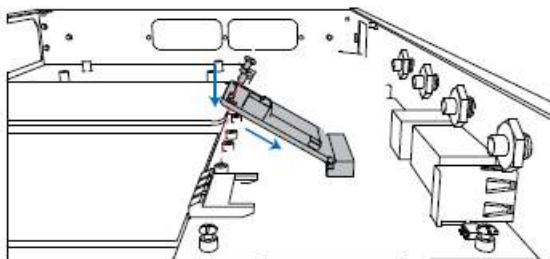


8. Rotate the antenna into the Antenna Socket. Skip this step if no GSM/3G/4G module installed.

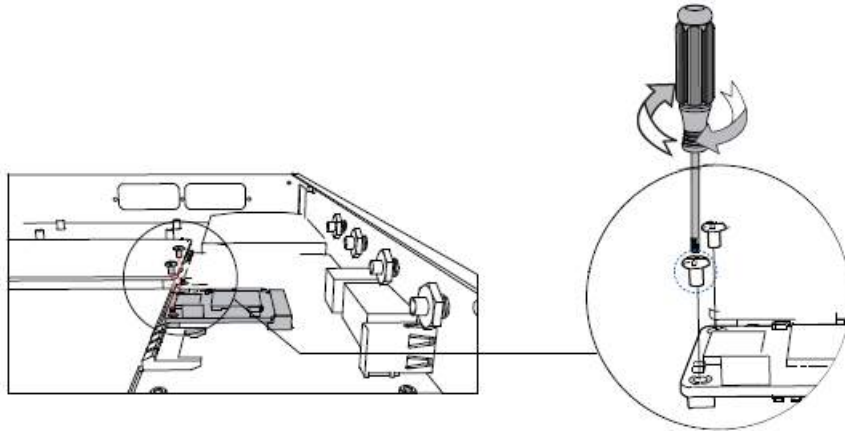


Install DSP Module

1. Open the device upper cover and insert the DSP module (D30) into the D-Slot from a tilt angle and then press it down.



2. Lock the screws to fix the D30 module board.

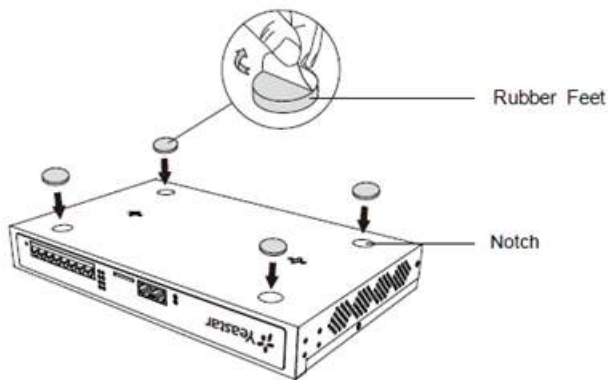


Desktop Installation

⚠ Caution:

- Set 5~10cm gaps around the device for air circulation.
- Avoid any heavy thing placed on the device.

1. Place the PBX on a steady platform.
2. Remove the adhesive backing paper from the rubber feet.
3. Turn over the device and attach the supplied rubber feet to the recessed areas on the bottom at each corner of the device.

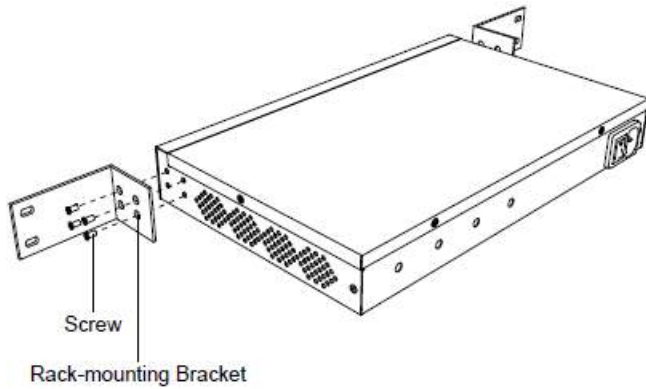


Rack Installation

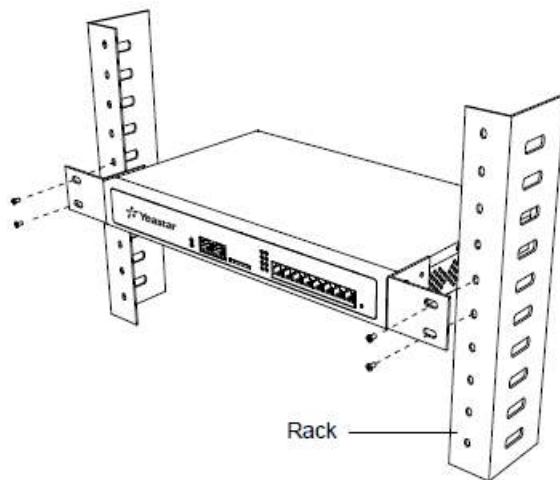
⚠ Caution:

- Be careful not to drop any components. Dropping components may damage them or cause an injury.
- Only use the 19-inch rack mounting kits (attached bracket and fittings) included with the PBX.

1. Fix the brackets to the left and right sides of the PBX with 4 screws.



2. Place the PBX in the 19-inch rack and fix both brackets to the rack with the rack's proprietary mounting equipment.



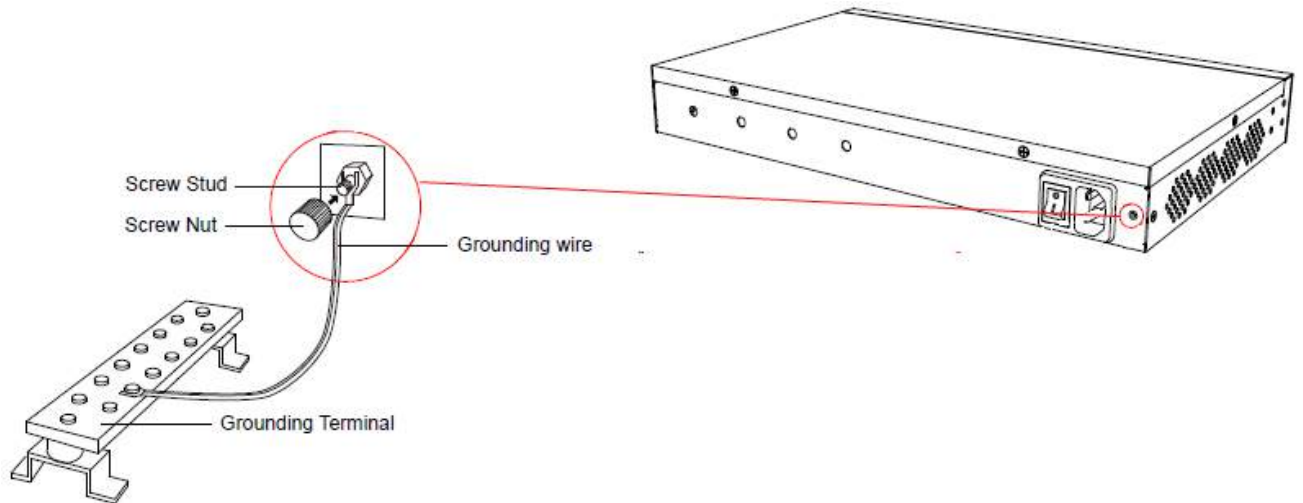
Ground Connection



Caution:

- Proper grounding (connection to ground) is very important to reduce the risk to the user of electrocution or protect the PBX from the bad effects of external noise in the case of a lightning strike.
- A permanent connection between ground and the ground terminal of the PBX must be made.

1. Tighten the provided screw stud into the Grounding port on PBX.
2. Insert an 18AWG grounding wire (user supplied).
3. Tighten the provided screw nut.
4. Attach the grounding wire to the grounding terminal.



Install Yeastar S300


Install Telephony Module

Yeastar S300 supports:

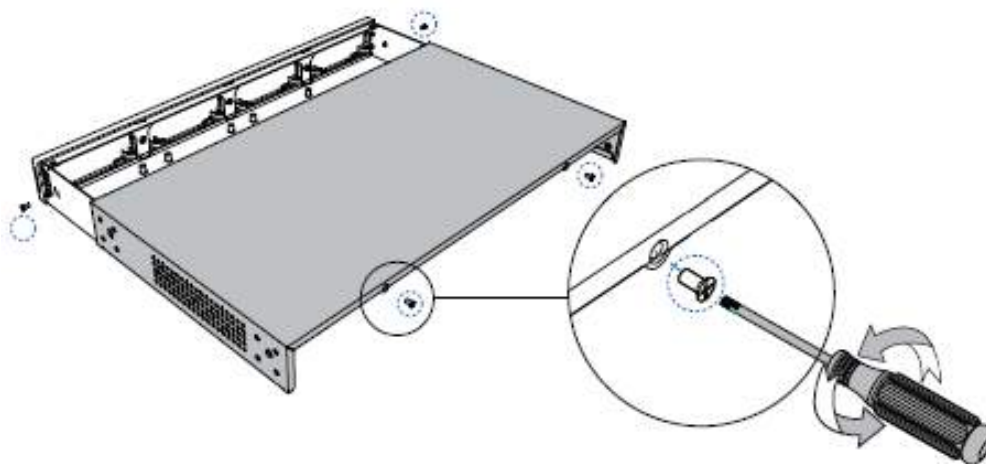
- Max. 3 EX08 Expansion Board
- Max. 3 EX30 Expansion Board
- Max. 12 Telephony Module
- Max. 2 D30 Module

The optional modules are as below:

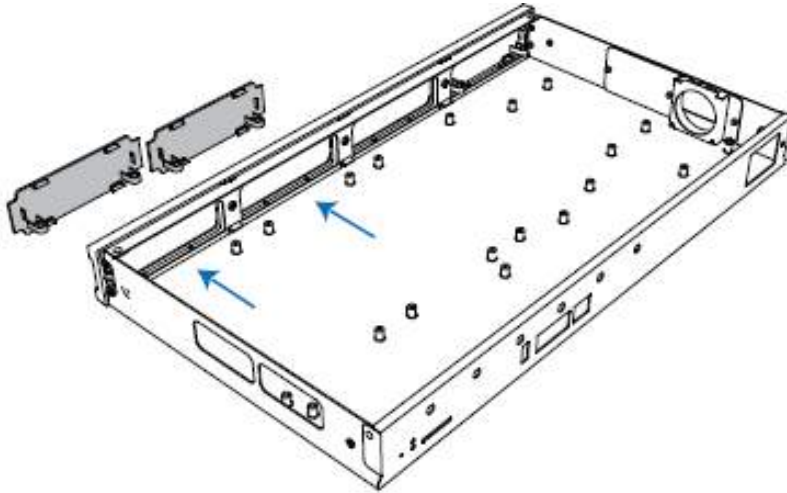
- | | | | |
|--------------|-------------|-------------|-------------|
| • S2 Module | • O2 Module | • B2 Module | • SO Module |
| • GSM Module | • 3G Module | • 4G Module | |

 **Note:** Before installing the module, check if the module is clean and intact.

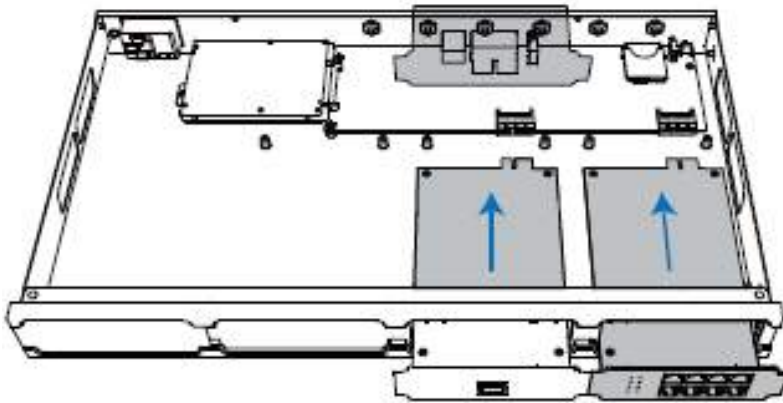
1. Loosen the screws on the bottom of the device and remove the upper cover.



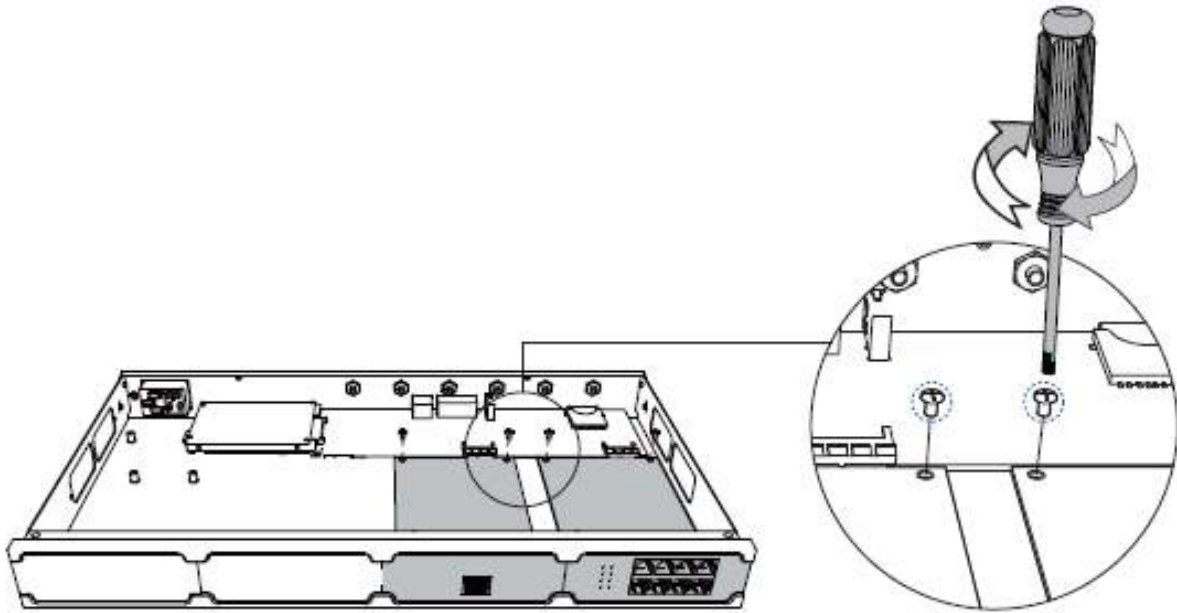
2. Push out the empty board from the inside of the device.




3. Push in the Expansion Board (EX08 or EX30).

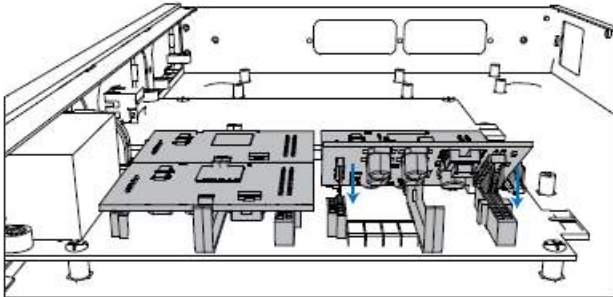


4. Lock the screws to fix the Expansion Board.



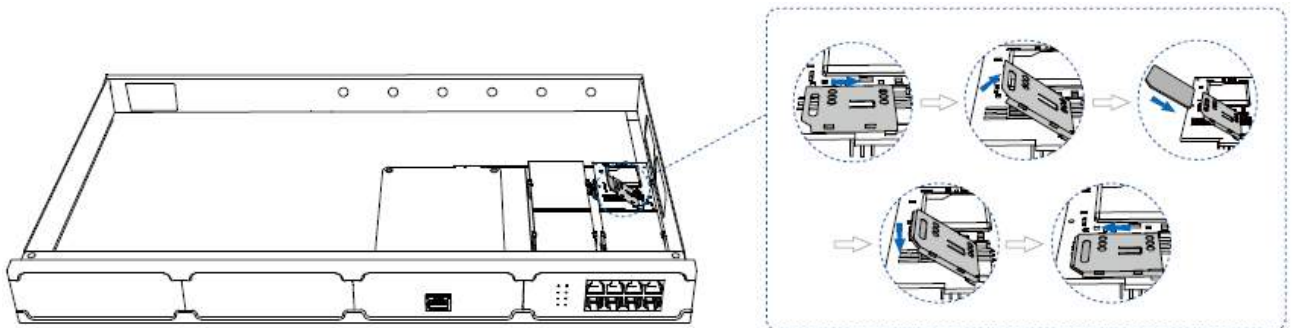
5. Insert the Telephony Modules on the EX08 Board.

 **Note:** Skip this step for EX30 Board.

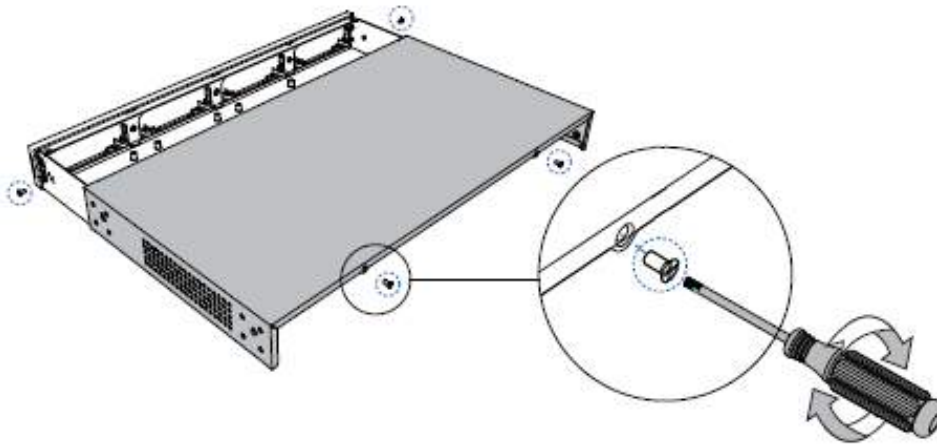


6. Insert a SIM card on the GSM/3G/4G module following the instructions.


 **Note:** Skip this step if no GSM/3G/4G module is installed.

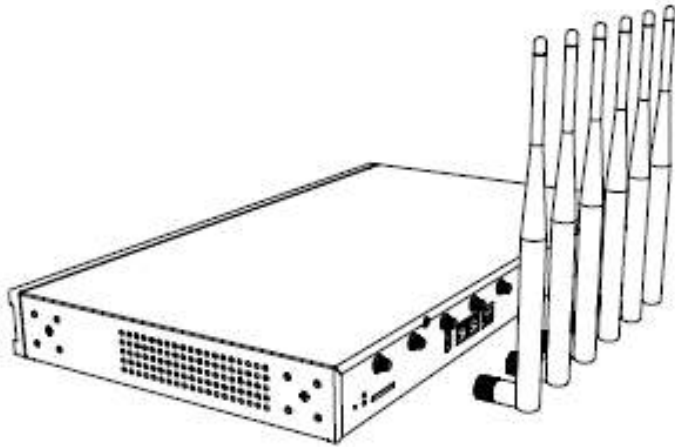


7. Close the cover and fix the screws.



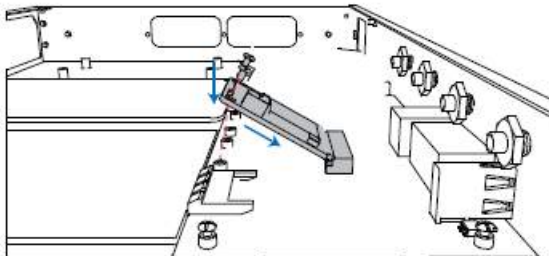
8. Rotate the antenna into the Antenna Socket.

 **Note:** Skip this step if no GSM/3G/4G module installed.

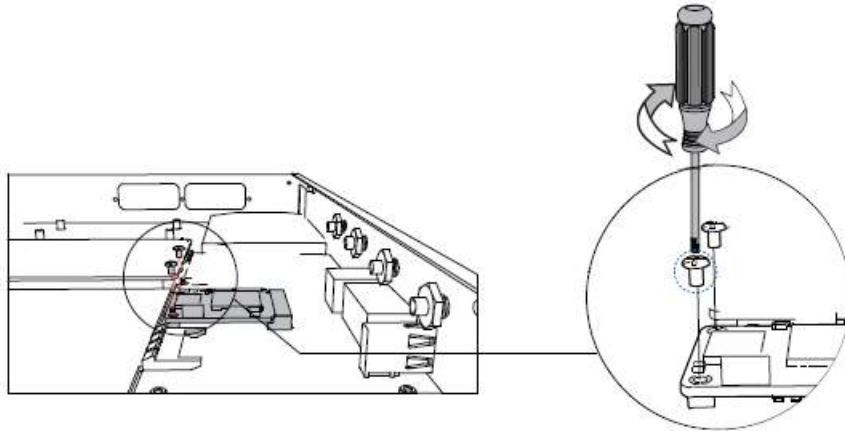


Install DSP Module

1. Open the device upper cover and insert the DSP module (D30) into the D-Slot from a tilt angle and then press it down.



2. Lock the screws to fix the D30 module board.

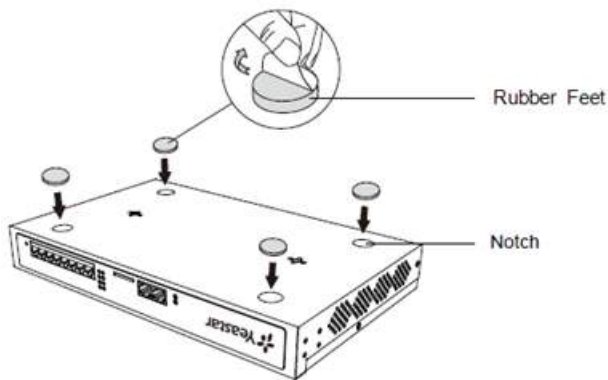


Desktop Installation

⚠ Caution:

- Set 5~10cm gaps around the device for air circulation.
- Avoid any heavy thing placed on the device.

1. Place the PBX on a steady platform.
2. Remove the adhesive backing paper from the rubber feet.
3. Turn over the device and attach the supplied rubber feet to the recessed areas on the bottom at each corner of the device.

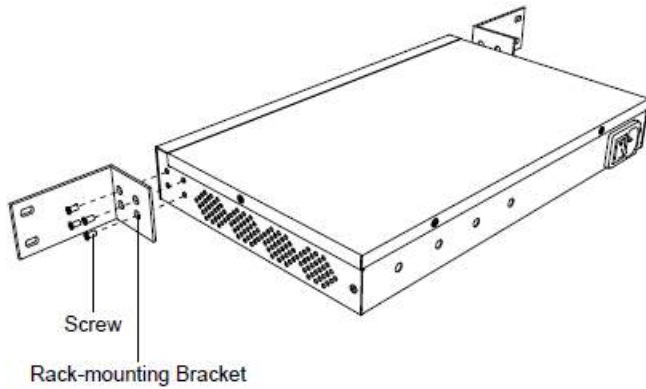


Rack Installation

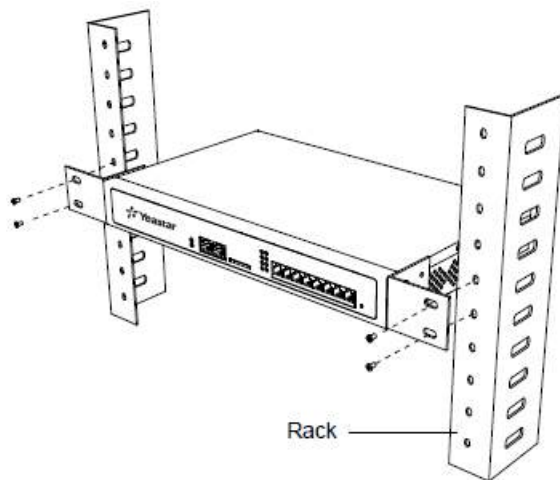
⚠ Caution:

- Be careful not to drop any components. Dropping components may damage them or cause an injury.
- Only use the 19-inch rack mounting kits (attached bracket and fittings) included with the PBX.

1. Fix the brackets to the left and right sides of the PBX with 4 screws.



2. Place the PBX in the 19-inch rack and fix both brackets to the rack with the rack's proprietary mounting equipment.



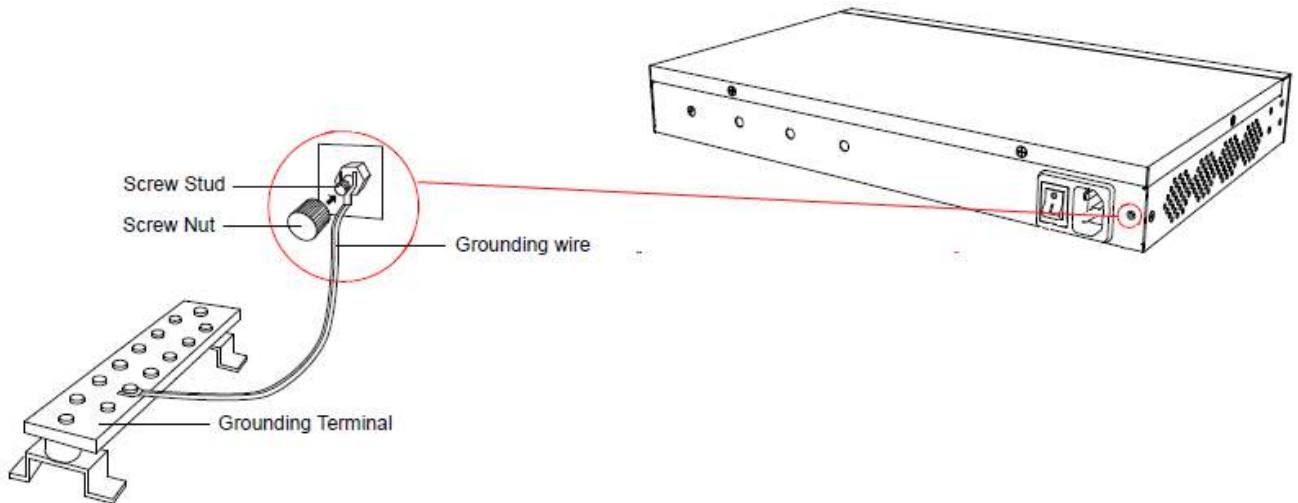
Ground Connection



Caution:

- Proper grounding (connection to ground) is very important to reduce the risk to the user of electrocution or protect the PBX from the bad effects of external noise in the case of a lightning strike.
- A permanent connection between ground and the ground terminal of the PBX must be made.

1. Tighten the provided screw stud into the Grounding port on PBX.
2. Insert an 18AWG grounding wire (user supplied).
3. Tighten the provided screw nut.
4. Attach the grounding wire to the grounding terminal.




Install Yeastar S412

Install Telephony Module

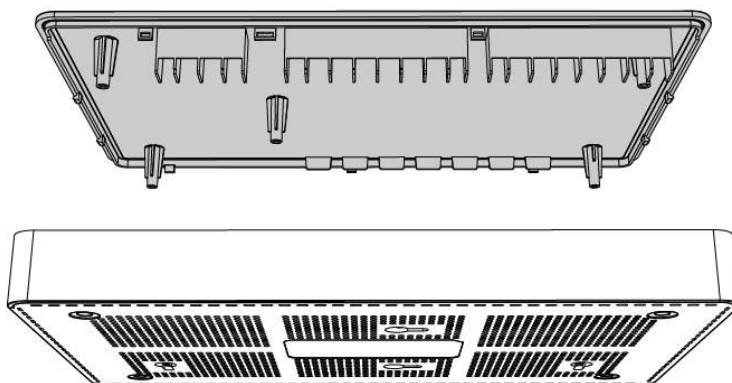
Yeastar S412 is designed with 8 fixed on-board FXS ports and 4 reserved slots to insert different modules according to your requirement. Yeastar S412 supports installing up to 4 modules.

The optional modules are as below:

• S2 Module	• O2 Module	• B2 Module
• GSM Module	• 3G Module	• 4G Module

 **Note:** Before installing the module, check if the module is clean and intact.

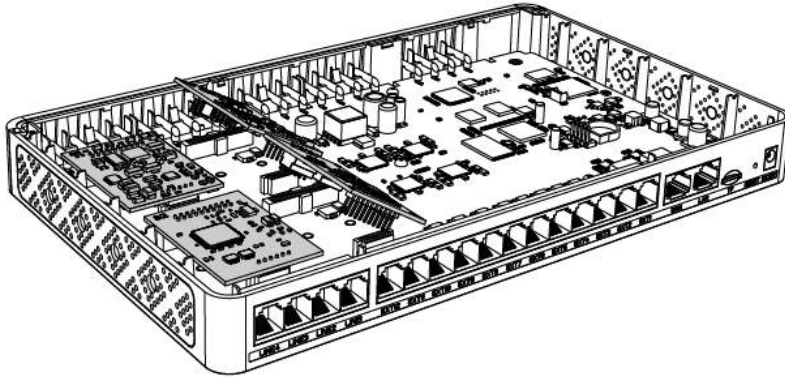
1. Loosen the screws on the bottom of the device and remove the upper cover.



2. Insert the module to the Module Slot.

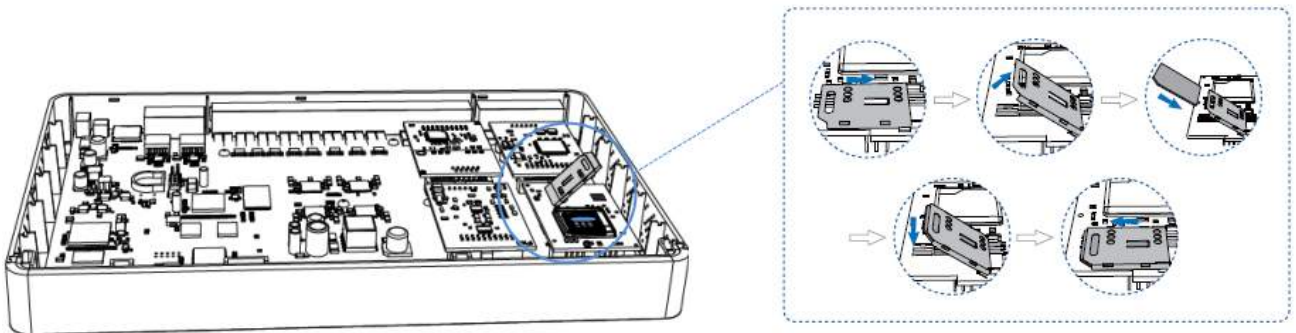
- T_Slot1: For S2 module only.
- T_Slot2: For S2 module only.
- T_Slot3: For O2 module, module, B2 module, GSM module, 3G module, and 4G module.

- T_Slot4: For O2 module, B2 module, GSM module, and 3G module.

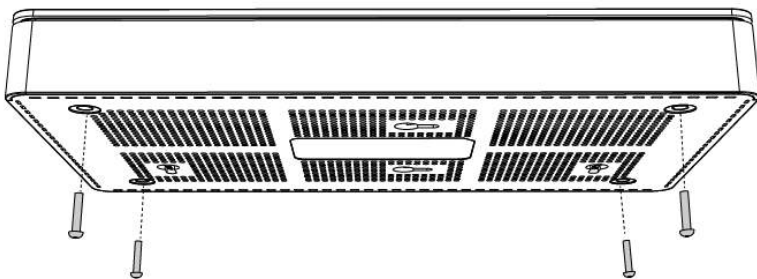


3. Insert a SIM card on the GSM/3G module following the instructions.


 **Note:** Skip this step if no GSM/3G/4G module is installed.

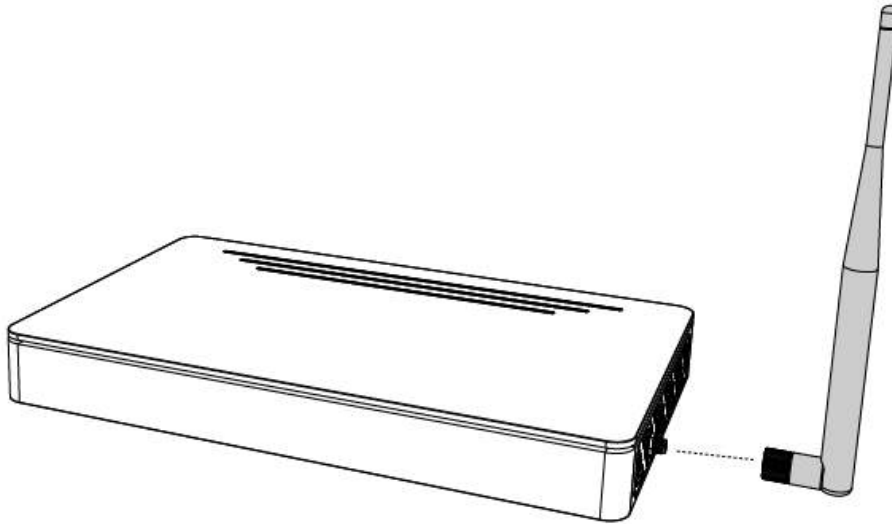


4. Close the cover and fix the screws.



5. Rotate the antenna into the Antenna Socket.

 **Note:** Skip this step if no GSM/3G module installed.

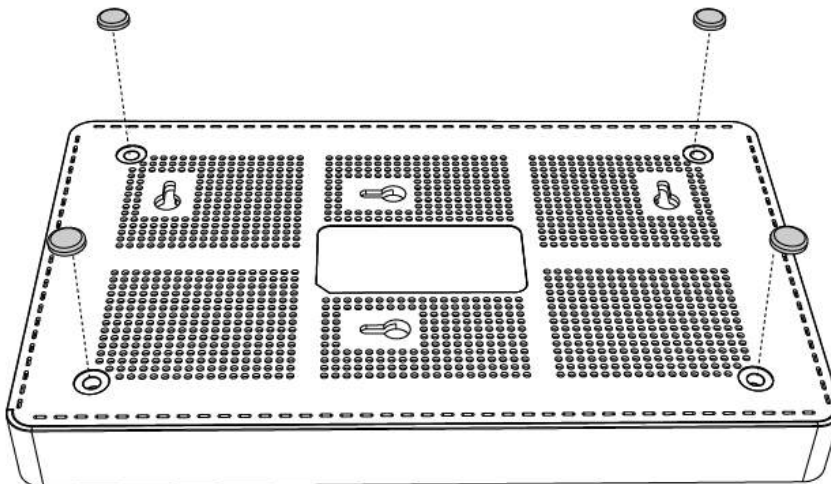


Desktop Installation

⚠ Caution:

- Set 5~10cm gaps around the device for air circulation.
- Avoid any heavy thing placed on the device.

1. Place the PBX on a steady platform.
2. Remove the adhesive backing paper from the rubber feet.
3. Turn over the device and attach the supplied rubber feet to the recessed areas on the bottom at each corner of the device.



Connect Your PBX

Connect your PBX to the local network, and connect telephony lines to the PBX.

1. Connect your PBX to the network.

Connect one end of an Ethernet cable to the LAN port of your PBX, and the other end to any port of your company' s LAN switch/router.

2. Power on your PBX.

Plug the provided power cord into the power inlet of the PBX, and the other end to a standard electrical wall socket.

Wait for the system to boot up till the SYSTEM LED starts to blink.

3. Connect your PBX to the telephony lines.



Note: Connect BRI/PSTN/analog phone/fax machine to the corresponding port based on the color of port indicator.

RJ11 Port	Operation
FXS	Connect one end of a RJ11 phone cable to the port. Connect the other end to the analog phone or fax machine.
FXO	Connect an RJ11 cable to the FXO port. Connect the other end of the cable to a PSTN line.
BRI	Connect the cable provided by the ISDN BRI provider to the BRI port. Connect the other end of the cable to the ISDN provider equipment.
E1/T1/J1 Port	Operation
E1/T1/J1	For S100 and S300 <ul style="list-style-type: none">Connect one end of the E1 cable to the E1/T1 port. Connect the other end to the E1 Provider' s equipment.